

2/4 Megapixel H.265 Vandal-proof Mini Dome Network Camera



IK09
IP67

MS-C2973-PB/MS-C4473-PB

DATASHEET

KEY FEATURES

- ▶ **H.265** (50% reduction in bandwidth, storage and bit rate compared with H.264.)
- ▶ **Advanced Functions** (Boasting to support various advanced functions such as HLC, Defog, ROI.)
- ▶ **Built-in Microphone** (Supporting audio function to hear what is happening in front of the camera.)
- ▶ **SIP** (Session Initiation Protocol. Providing audio/alarm/intercom and video streaming for mobile phones and video phones.)
- ▶ **128G** (Supporting ultra-large external Micro SD/SDHC/SDXC storage up to 128G.)

0.002Lux Ultra Low-light

The starlight camera is able to deliver high detailed color images even in low light environment reaching 0.002Lux(Color) or 0Lux(B/W), and near infrared light environments without any supplementary lighting.



140dB Super WDR

Milesight's sensor-based WDR technology allows the camera to record greater scene details with true color reproduction even under the extreme back light and high contrast conditions. The ratio that the brightest light signal values divided by the darkest light signal values is up to 140dB.

IP67-Rated Weather-proof

IP67-rated weather-proof housing protects the camera against humidity, dust, and temperature fluctuations, making it apt for outdoor surveillance in harsh climatic conditions.



IK09-Rated Vandal-proof

With IK09-rated vandal-proof metal base and polycarbonate cover, the camera is rugged enough to withstand high impact force, shock, maintaining stable and reliable video, making it suitable for using in high-risk environments.

H.265 Vandal-proof Mini Dome Network Camera



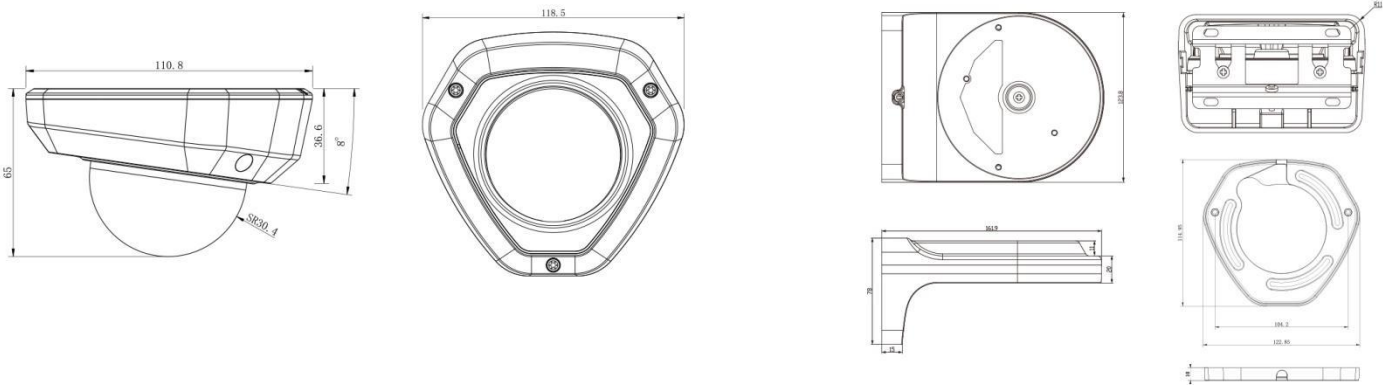
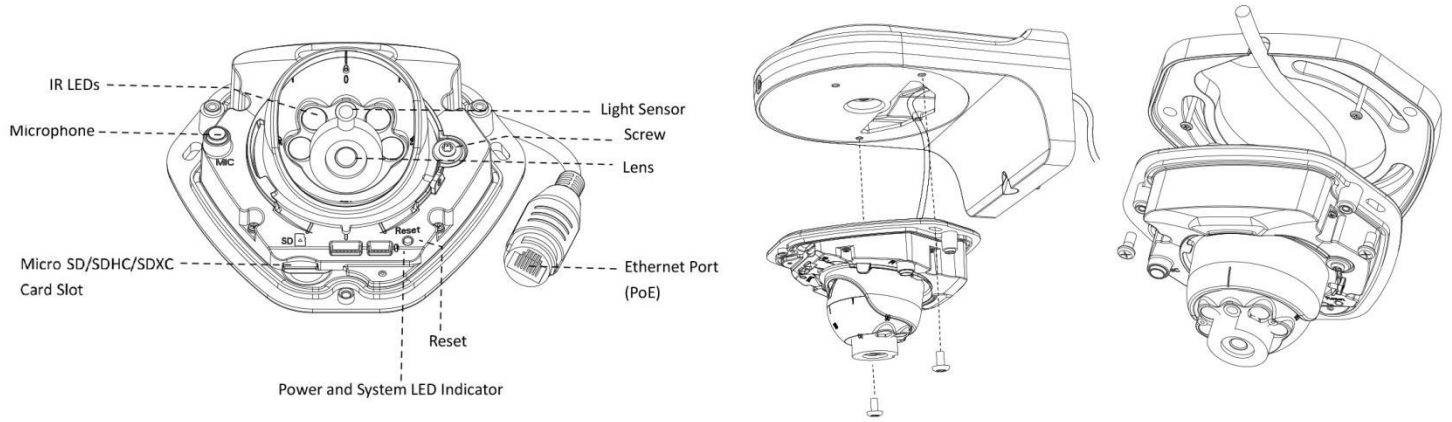
	Model	MS-C2973-PB (2MP)	MS-C4473-PB (4MP)
Camera	Image Sensor	1/2.8" Progressive Scan CMOS	1/3" Progressive Scan CMOS
	Min. Illumination	Color: 0.002Lux@F1.4 B/W: 0Lux with IR on	Color: 0.008Lux@F1.4 B/W: 0Lux with IR on
	WDR	Super WDR up to 140dB	Super WDR up to 120dB
	Lens	3.6mm/2.8mm/6mm @F1.6	
	Mount	M12	
	Field of View	H93.6°(3.6mm)	H85.2°(3.6mm)
	Shutter Time	1/100000s~1/5s	
	IR Distance	Up to 20m	
	Day&Night	ICR Filter Auto Switch	
Video	Max Image Resolution	1920×1080	2592×1520
	Primary Stream	30fps@(1920×1080, 1280×960, 1280×720, 704×576)	20fps(2592×1520), 30fps@(2304×1296, 1920×1080, 1280×960, 1280×720, 704×576)
	Secondary Stream	30fps@(704×576, 640×480, 640×360, 352×288, 320×240, 320×192, 320×176)	
	Tertiary Stream	30fps@(1920×1080, 1280×720, 704×576, 640×480, 640×360, 320×240, 320×192, 320×176)	
	Video Compression	H.265(HEVC)/H.264/MJPEG	
	Video Bit Rate	16Kbps~16Mbps(CBR/VBR Adjustable)	
	Image Setting	Brightness/Contrast/Saturation/Sharpness	
Network	Ethernet	1*RJ45 10M/100M Ethernet Port	
	Network Storage	NAS(Support NFS, SMB/CIFS)	
	Protocol	IPv4/IPv6, UDP, RTP, RTSP, RTCP, HTTP, HTTPS, DNS, DDNS, DHCP, FTP, NTP, SMTP, SNMP, UPnP, SIP, PPPoE, VLAN	
Audio	Audio Streaming	Built-in Microphone	
	Audio Compression	G.711/AAC	
System	Storage	Support Micro SD/SDHC/SDXC Local Storage, up to 128G	
	Advanced Function	Motion Detection, Privacy Masking, Backlight Compensation, HLC, 3D-DNR, ROI, Anti-fog, EIS	
	SIP/VoIP Support	Yes, Voice & Video-over-IP	
	Event Trigger	Motion Detection, Network Disconnection, Audio Trigger, etc.	
	Event Action	FTP Upload/ SMTP Upload/ SD Card Record/ SIP Phone	
	System Compatibility	ONVIF Profile S	
General	Working Temperature	-30℃~60℃	
	Working Humidity	0~90%(Non-condensing)	
	Power Supply	PoE	
	Power Consumption	2.5W MAX 5W MAX (With IR on)	2.5W MAX 5.5W MAX (With IR on)
	Weather Proof	Up to IP67-rated for Weather-resistant Performance	
	Housing	Vandal-proof IK10-rated Metal Housing	
	Weight	500g	
	Dimensions	110.8mmX118.5mmX65mm	
Warranty	3/5 Years		

V7.01

H.265 Vandal-proof Mini Dome Network Camera



Structure Diagrams



Units: mm

Accessories Support

A01 Pole mount with stainless steel straps
Weight: 770g
Dimension: 170*51.5*152.6mm



A02 Corner bracket
Weight: 540g
Dimension: 170*23.2*205.3mm



A03 Corner bracket
Weight: 895g
Dimension: 170*152.6*76.3mm



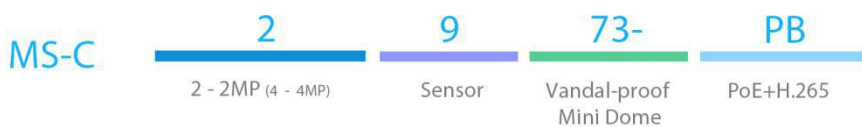
A71 Wall mount
Weight: 531g
Dimension: 162*124*78mm



A73 Adapter Plate
Weight: 28g
Dimension: 115*122.5*10mm



Naming Convention



Milesight Technology Co.,Ltd. | www.milesight.com

HEADQUARTERS
Add: No.23 Wanghai Road, 2nd Software Park, Xiamen, China
Tel: +86-592-5922772 Mail: sales@milesight.com



MILESIGHT USA
Add: 7509 N.W. 36th Street, Miami, Florida 33166, USA
Tel: +1-305-764-3474 Mail: sales@milesightusa.com

