

# 4K H.265 Motorized Pro Dome Network Camera



IP67 + IK10

Motorized Lens

MS-C8172-F(I)PB/MS-C8272-F(I)PB

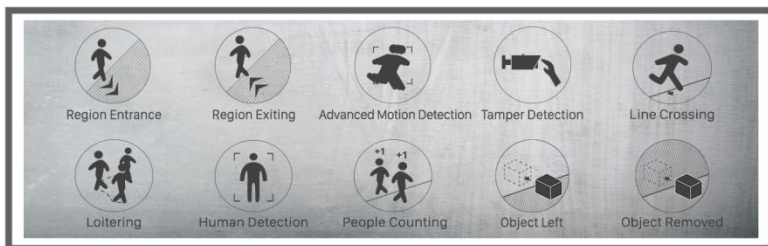
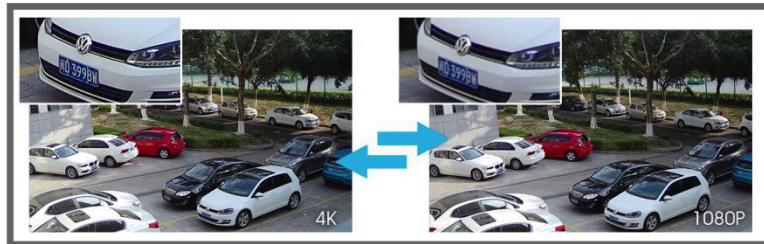
DATASHEET

## KEY FEATURES

- ▶ **Smart Stream** (Bandwidth, storage and bit rate are saved with Smart Stream On, eg, H.265+ saves 70%~80% bandwidth that of H.264.)
- ▶ **Smart IR II** (Combining the High Beam and Low Beam to adjust IR intensity to fit different lighting conditions.)
- ▶ **P-Iris** (Giving you a more clear scene with depth of view.)
- ▶ **Advanced Functions** (Boasting to support various advanced functions such as HLC, Defog, ROI.)
- ▶ **SIP** (Session Initiation Protocol. Providing audio/alarm/intercom and video streaming for mobile phones and video phones.)
- ▶ **256G** (Supporting ultra-large external microSD/SDHC/SDXC card storage up to 256G.)

### 30fps@4K

Providing 4K HD resolution with frame rate of 30fps, the camera performs well in catching detailed image regardless of the moving speed.



### Video Content Analysis

Milesight VCA with 10 detection modes provides advanced, accurate smart video analysis for Milesight network cameras, enabling the comprehensive surveillance function and quicker response to different monitoring scenes.

### 120dB Super WDR

Milesight's sensor-based WDR technology allows the camera to record greater scene details with true color reproduction even under the extreme back light and high contrast conditions. The ratio that the brightest light signal values divided by the darkest light signal values is up to 120dB.



### Clamshell Design

Aiming to reduce the installation troubles to the least, Milesight creatively introduces the clamshell design to the dome base. This revolutionary innovation enlarges the space to make cable connection a piece of cake, greatly saving efforts for installers.

# 4K H.265 Motorized Pro Dome Network Camera

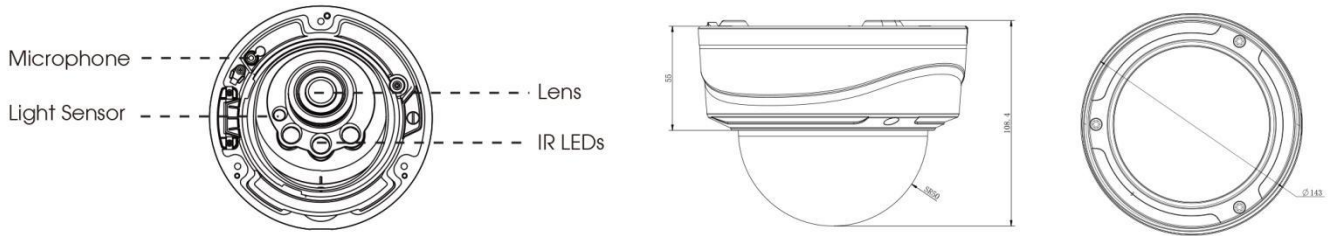
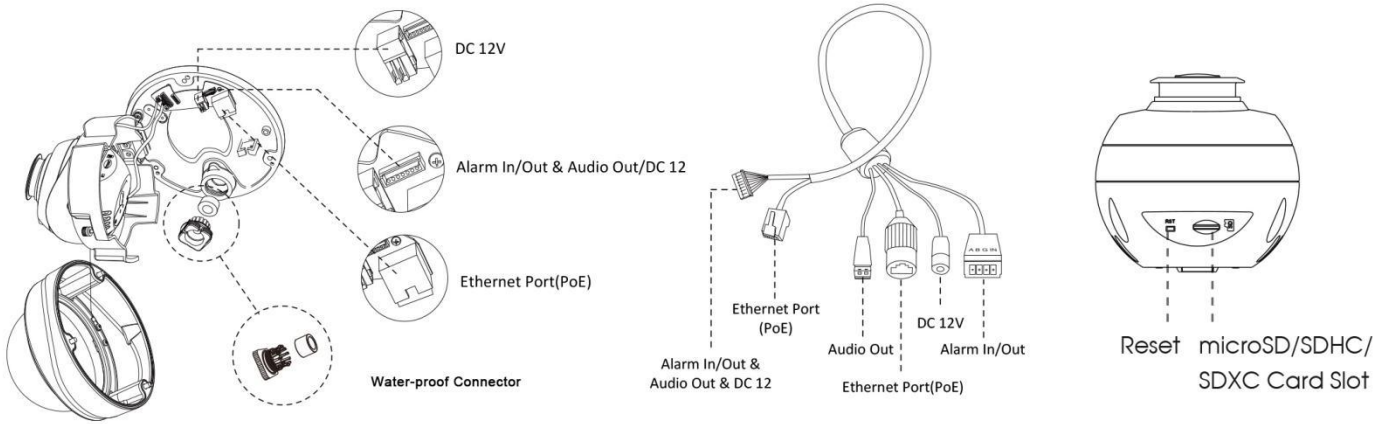


	Model	MS-C8172-F(I)PB (4K)	MS-C8272-F(I)PB (4K)	
Camera	Image Sensor	1/2.5" Progressive Scan CMOS	1/1.8" Progressive Scan CMOS	
	Min. Illumination	Color: 0.01Lux@F1.2 B/W: 0Lux with IR on	Color: 0.006Lux@F1.2 B/W: 0Lux with IR on	
	WDR		120dB Super WDR	
	Lens	Motorized 3.3~12mm @F1.4 P-Iris(Optional)	Motorized 3.6~10mm @F1.4 P-Iris(Optional)	
	Mount		Φ14	
	Field of View	H101°~H39°/D116°~D46°/V56°~V21°	H110°~H46°/D126°~D54°/V61°~V25°	
	Shutter Time		1/100000s~1s	
	IR Distance		Up to 50m	
	Day&Night		ICR Filter Auto Switch	
	S/N		>55dB	
Video	Max. Image Resolution		3840x2160	
	Primary Stream	15fps@(3840x2160), 30fps@(3072x2048, 2592x1944, 2592x1520, 2048x1536, 1920x1080, 1280x960, 1280x720, 704x576)	30fps@(3840x2160, 3072x2048, 2592x1944, 2592x1520, 2048x1536, 1920x1080, 1280x960, 1280x720, 704x576)	
	Secondary Stream		30fps@(704x576, 640x480, 640x360, 352x288, 320x240, 320x192, 320x176)	
	Tertiary Stream		30fps@(1920x1080, 1280x720, 704x576, 640x480, 640x360, 320x240, 320x192, 320x176)	
	Video Compression		H.265+/H.265(HEVC)/H.264+/H.264/MJPEG	
	Video Bit Rate		16Kbps~16Mbps(CBR/VBR Adjustable)	
	Image Setting		Brightness/Contrast/Saturation/Sharpness	
Network	Ethernet		1*RJ45 10M/100M Ethernet Port	
	Network Storage		NAS(Support NFS, SMB/CIFS)	
	Protocol		IPv4/IPv6, TCP, UDP, RTP, RTSP, RTCP, HTTP, HTTPS, DNS, DDNS, DHCP, FTP, NTP, SMTP, SNMP, UPnP, SIP, PPPoE, VLAN, 802.1x, QoS, IGMP, ICMP, SSL	
Audio	Audio Compression		G.711/AAC	
	Audio I/O		Built-in Microphone and 1 Audio Output interface	
System	Alarm I/O		1/1	
	Storage		Support microSD/SDHC/SDXC Card Local Storage, up to 256G	
	Advanced Function		Privacy Masking, BLC, HLC, 2D DNR, 3D DNR, ROI, Defog, AWB, EIS, IP Address Filtering, AGC, Anti-flicker, Corridor Mode, Deblur	
	SIP/VoIP Support		Yes, Voice & Video-over-IP	
	Event Trigger		Motion Detection, Network Disconnection, Audio Alarm, External Input, etc.	
	Event Action		FTP Upload, SMTP Upload, SD Card Record, External Output, SIP Phone, HTTP Notification, etc.	
	Video Analysis (Optional)		Region Entrance, Region Exiting, Advanced Motion Detection, Tamper Detection, Line Crossing, Loitering, Human Detection, People Counting, Object Left, Object Removed	
System Compatibility		ONVIF Profile S & G & T		
General	Working Temperature		-40℃~60℃	
	Working Humidity		0~90%(Non-condensing)	
	Power Supply		PoE (802.3af)/ DC 12V±10%	
	Power Consumption	8W MAX 12W MAX (With IR on)		6.2W MAX 9.4W MAX (With IR on)
	Weather Proof		Up to IP67-rated for Weather-resistant Performance	
	Housing		Vandal-proof IK10-rated Metal Housing	
	Weight		1100g	
	Dimensions		Φ143mmX108.4mm	
	Warranty		3/5 Years	

# 4K H.265 Motorized Pro Dome Network Camera



## Structure Diagrams



Units: mm

## Accessories Support

A01 Pole Mount

Weight: 720g  
Dimensions: 170\*51.5\*152.6mm



A02 Internal Corner Bracket

Weight: 540g  
Dimensions: 170\*23.2\*205.3mm



A03 External Corner Bracket

Weight: 900g  
Dimensions: 170\*152.6\*76.3mm



A72 Wall Mount

Weight: 560g  
Dimensions: 240\*160\*136mm



AC-72 Smoked Dome Cover

For concealing where a camera is pointed



A75 Junction Box

Weight: 200g  
Dimensions: 155.5\*167\*33.5mm



A76 Pendant Mount

Weight: 620g  
Dimensions: 136\*L (L is default as 300mm, also can be extended with A76-L)



A76-L Extension Lever

Weight: 315g  
Dimensions: 34\*300mm



## Naming Convention



Milesight Technology Co.,Ltd. | [www.milesight.com](http://www.milesight.com)

Contact Us: [sales@milesight.com](mailto:sales@milesight.com) [support@milesight.com](mailto:support@milesight.com)

Add: 220 NE 51st Street, Oakland Park, Florida 33334, USA  
Tel: +1-800-561-0485

Add: 925, Anyang SK V1 Center, LS-ro 116beon-gil, Dongan-gu, Anyang-si, Korea  
Tel: +82-31-990-7772

Add: No.23 Wanghai Road, 2nd Software Park, Xiamen, China  
Tel: +86-592-5922772

